

Sight Glass Fittings, circular,
acc. to **DIN 28121**
to be **mounted** to existing **DIN-flanges**

NORIS

Bauform 121

Application:

For observation and lightning the inside of closed containers (boilers, tanks, silos a.s.o). Fitting will be delivered totally mounted and must only be screwed on an existent flange.

Operating conditions:

Working pressure: 10 bar or 25 bar
Working temperature: 200°C

Options:

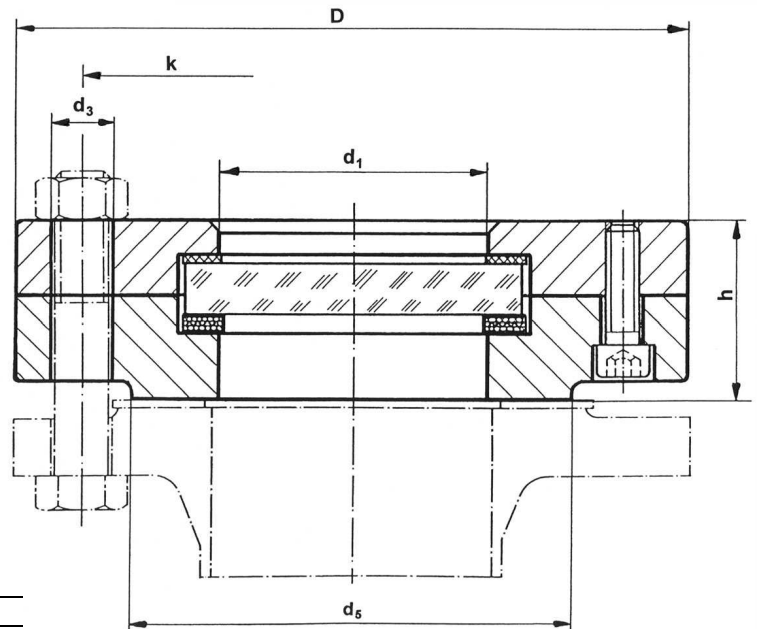
Flanges with groove or tongue a.s.o.
Special design for more then 200°C
bigger sizes (DN 250 a.s.o.)
Safety double windows
Sight glass light fittings
Base-flange lined
acc. to ANSI-connection

Materials:

| | |
|------------------------|--|
| Base and Cover flanges | Steel / Stainless Steel 1.4571 or other materials |
| Glass | Borosilicate glass acc. to DIN 7080 |
| Gasket | PTFE enveloped gasket (up to 200°C) |

Certificate: (Option)

Acc. to EN 10204-2.2 or
Acc. to EN 10204-3.1



Dimensions

| DN | bar | D | d ₁ | d ₅ | h | k | d ₃ |
|-----|-----|-----|----------------|----------------|----|-----|----------------|
| 40 | 10 | 150 | 48 | 88 | 36 | 110 | 4 x Ø 18 |
| | 25 | | | | 38 | | |
| 50 | 10 | 165 | 65 | 102 | 38 | 125 | 4 x Ø 18 |
| | 25 | | | | 41 | | |
| 80 | 10 | 200 | 80 | 138 | 46 | 160 | 8 x Ø 18 |
| | 25 | | | | 50 | | |
| 100 | 10 | 220 | 100 | 158 | 46 | 180 | 8 x Ø 18 |
| | 25 | 235 | | 162 | 59 | 190 | 8 x Ø 22 |
| 125 | 10 | 250 | 125 | 188 | 54 | 210 | 8 x Ø 18 |
| | 25 | 270 | | | 66 | 220 | 8 x Ø 26 |
| 150 | 10 | 285 | 125 | 212 | 54 | 240 | 8 x Ø 22 |
| | 25 | 300 | | 218 | 66 | 250 | 8 x Ø 26 |
| 200 | 10 | 340 | 150 | 268 | 54 | 295 | 8 x Ø 22 |
| | 25 | 360 | | 278 | 66 | 310 | 12 x Ø 26 |

Modification reserved

NORIS ARMATUREN Burkenstein GmbH & Co. KG

Puscherstrasse 3
D-90411 Nürnberg

Telefon: +49 (0) 911 / 52 150 63
Telefax: +49 (0) 911 / 52 24 40

Internet: Noris-Armaturen.de
E-Mail: Noris@Noris-Armaturen.de